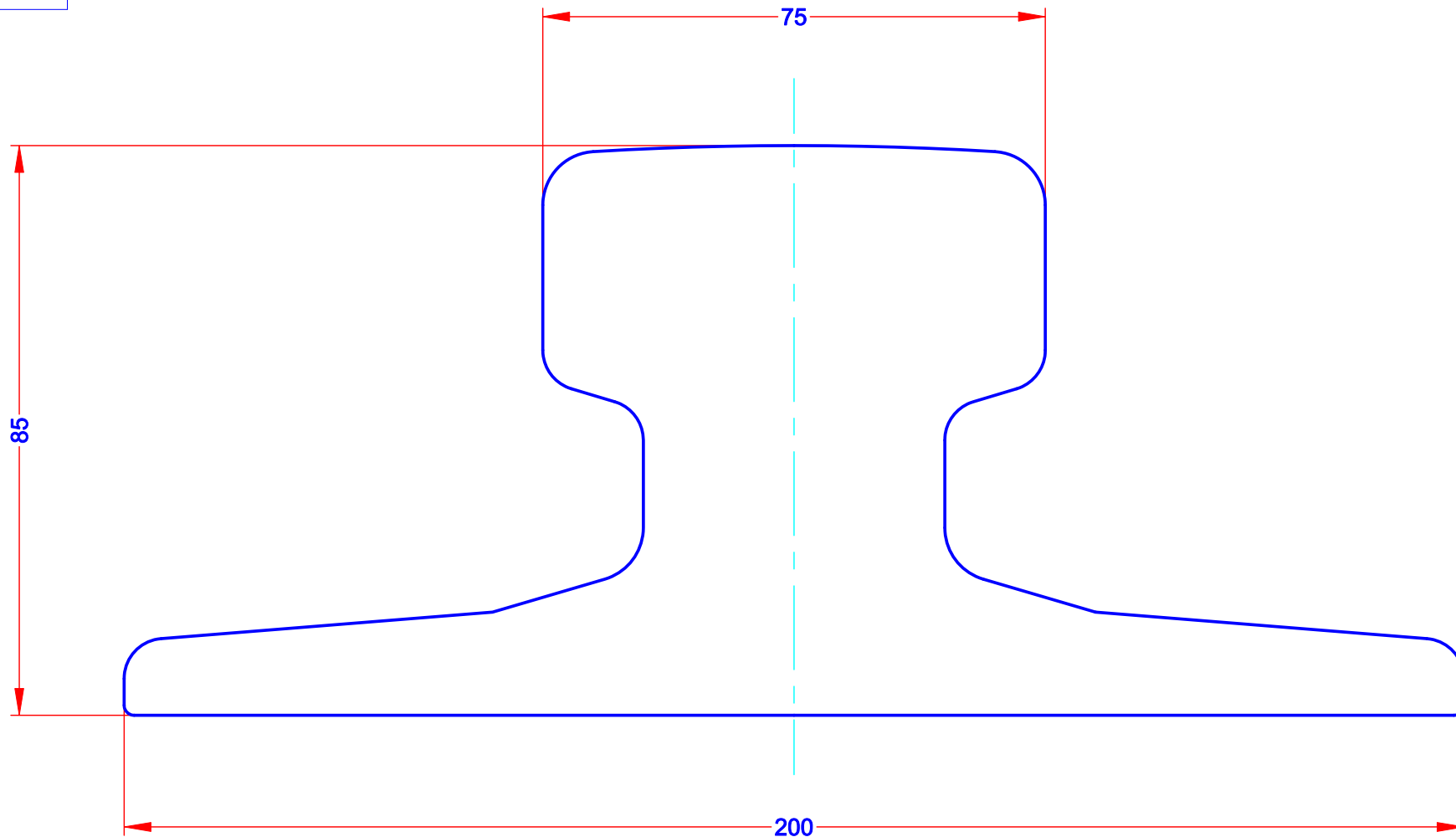
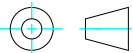


THIRD ANGLE PROJECTION



# ASECOM<sup>®</sup>

Rail Mounting Systems

THE TECHNICAL DATA CONTAINED IN THIS DRAWING IS THE PROPERTY OF ASECOM RAILS COMPANY AND IS SUBJECT TO COPYRIGHT ©

## ASECOM RAILS

20, Rue Maurice Barrés  
57175 GANDRANGE  
Tel: 0033.962.074.366  
Fax: 0033.387.586.279  
Gsm: 0033.673.587.415

e-mail: [contact@asecomrails.com](mailto:contact@asecomrails.com)

Rail Designation	A75
Rail Origin	CEE
Standard	DIN 536
Area of section	7177 mm <sup>2</sup>
Calculated Mass	56.2 kg/m
Neutral Axis to base	34.8 mm
Moment of Inertia	Ixx 536 cm <sup>4</sup>   IyY 1010 cm <sup>4</sup>

Edition	A
Date	29/10/02
Scale	1 :1 @ A4

FOR GUIDANCE ONLY  
THIS INFORMATION HAS BEEN  
PROVIDED IN GOOD FAITH BUT  
SPECIFICATIONS DO CHANGE