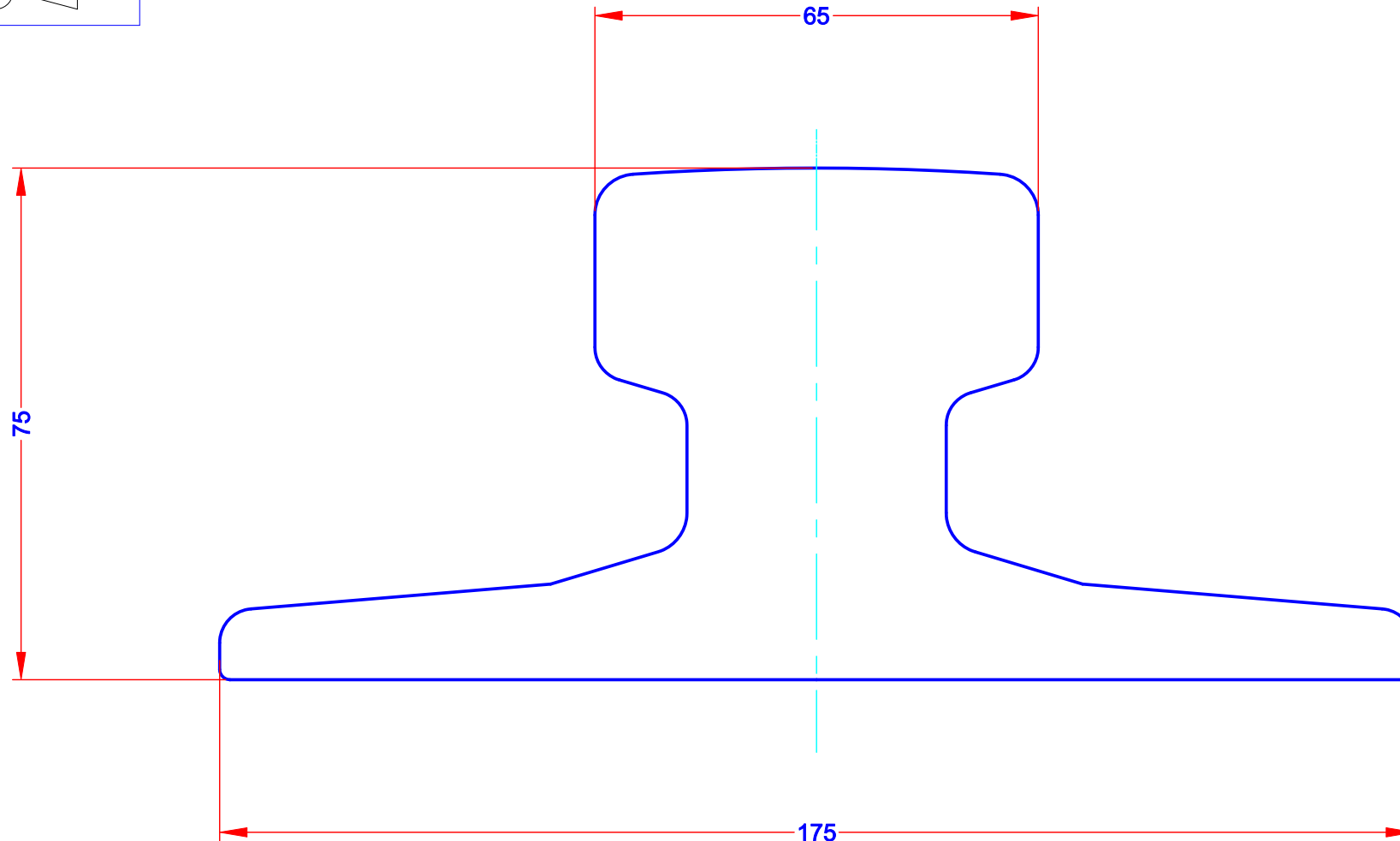
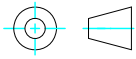


THIRD ANGLE PROJECTION



ASECOM[®]

Rail Mounting Systems

ASECOM RAILS

20, Rue Maurice Barrés
57175 GANDRANGE
Tel: 0033.962.074.366
Fax: 0033.387.586.279
Gsm: 0033.673.587.415

e-mail: contact@asecomrails.com

THE TECHNICAL DATA CONTAINED IN THIS DRAWING IS THE PROPERTY OF ASECOM RAILS COMPANY AND IS SUBJECT TO COPYRIGHT ©

Rail Designation	A65
Rail Origin	CEE
Standard	DIN 536
Area of section	5514 mm ²
Calculated Mass	43.1 kg/m
Neutral Axis to base	30.4 mm
Moment of Inertia	Ixx 322 cm ⁴ Iyy 608 cm ⁴

Edition	A
Date	29/10/02
Scale	1 :1 @ A4
FOR GUIDANCE ONLY THIS INFORMATION HAS BEEN PROVIDED IN GOOD FAITH BUT SPECIFICATIONS DO CHANGE	