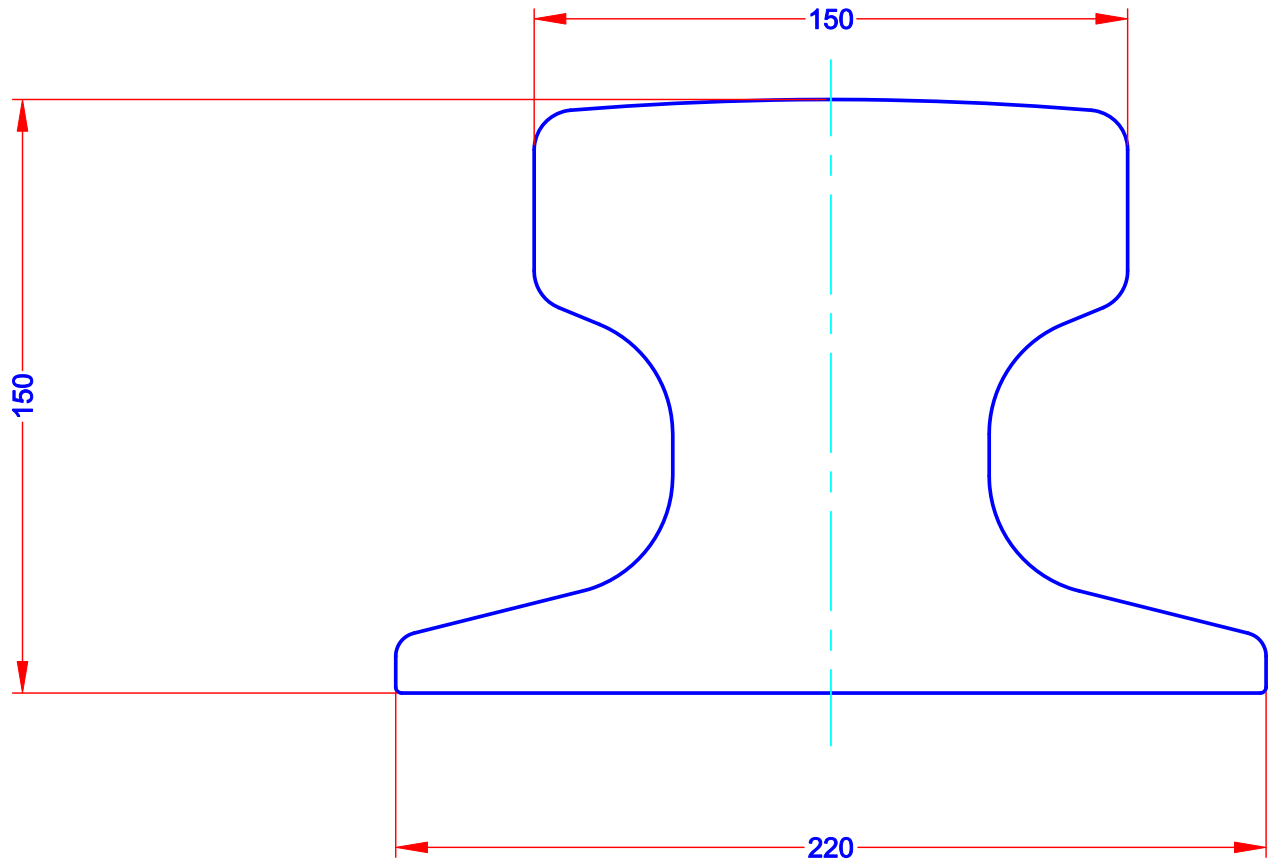
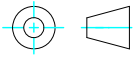


THIRD ANGLE PROJECTION



ASECOM[®]

Rail Mounting Systems

THE TECHNICAL DATA CONTAINED IN THIS DRAWING IS THE PROPERTY OF ASECOM RAILS COMPANY AND IS SUBJECT TO COPYRIGHT ©

ASECOM RAILS

20, Rue Maurice Barrés
57175 GANDRANGE
Tel: 0033.962.074.366
Fax: 0033.387.586.279
Gsm: 0033.673.587.415

e-mail: contact@asecomrails.com

Rail Designation	A150
Rail Origin	CEE
Standard	DIN
Area of section	19311 mm ²
Calculated Mass	150.3 kg/m
Neutral Axis to base	73 mm
Moment of Inertia	I _{xx} 4413 cm ⁴ I _{yy} 3652 cm ⁴

Edition	A
Date	30/10/02
Scale	1:2 @ A4

FOR GUIDANCE ONLY
THIS INFORMATION HAS BEEN PROVIDED IN GOOD FAITH BUT SPECIFICATIONS DO CHANGE